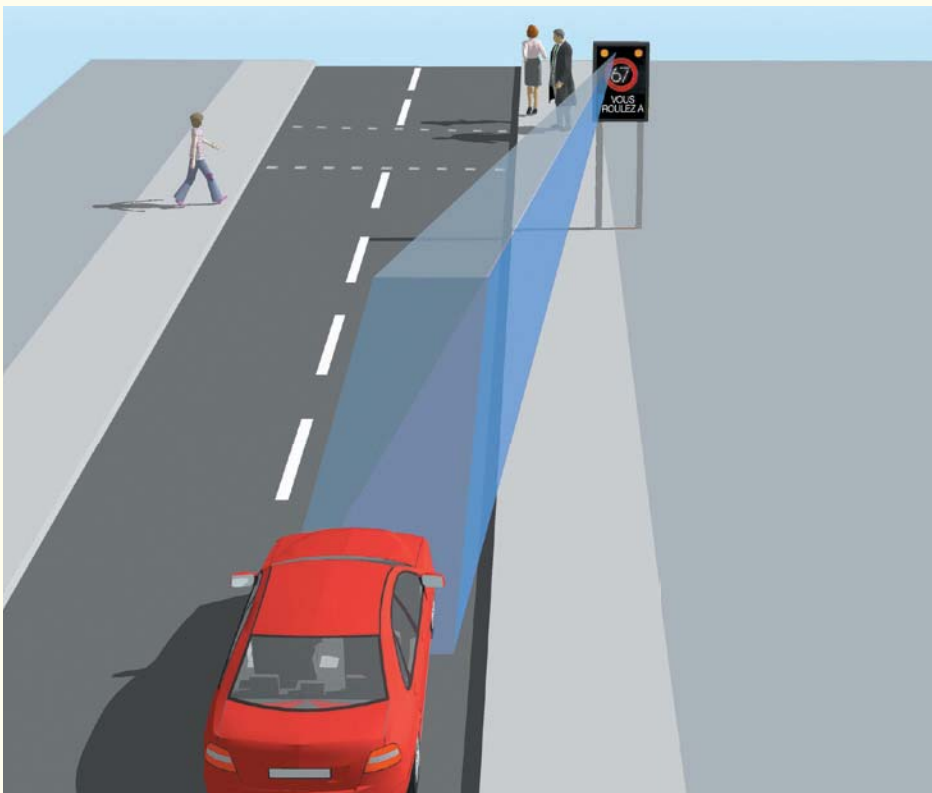


This product has been designed for internal mounting within vehicle actuated sign (VAS) enclosures. The 330 Doppler radar operates in the 24GHz band. This ultra slim solution delivers outstanding detection performance.

- Compact in-sign vehicle speed detection and output
- Technically advanced detection platform
- Ease of integration into vehicle actuated signs
- Versatile unit for optimisation of detection performance

### IN-SIGN RADAR DETECTOR



### FEATURES

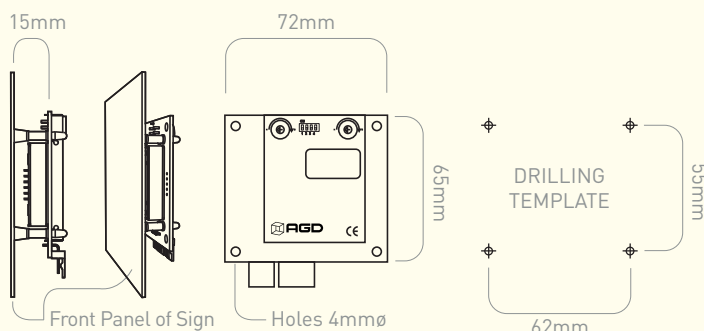
- Detects approaching vehicles upto 180m
- 9 pre-set user selectable low speed thresholds via rotary switch
- RS422 definable low speed thresholds from 8kph to 200kph
- Range sensitivity adjustment via rotary switch
- Serial communications output enabled by DIP switch
- Speed output in kph or mph

### SPECIFICATIONS



<b>Technology</b>	CW Doppler Radar
<b>Detect Output</b>	Opto-isolator/RS422
<b>Range/Zone</b>	Up to 180m (dependent on sign mounting and user sensitivity selection)
<b>Mounting Height</b>	2-5m nominal (optimum 3m)
<b>Product Mounting</b>	4 off ø4mm mounting holes
<b>Product Finish</b>	Open PCB finish conformally coated
<b>Operating Temp</b>	-20°C to +60°C
<b>Power Supply</b>	12Vdc
<b>Power</b>	700 - 900mW @ 12Vdc
<b>Approved to:</b>	ETSI EN 301 489 BS EN 50293 FCC (Part 15)

### DIMENSIONS:

Weight: 100g



## 330 TESTING PROCESS

	TEST EQUIPMENT:	<b>SATURN™</b>	
	PRODUCT TEST:	<b>307   308   330</b>	
	TEST FUNCTION:	<ul style="list-style-type: none"> <li>• Simulated speed range 4-200 kph</li> <li>• Signal size and direction control</li> <li>• Optimisation of frequency signals</li> <li>• Test cycle time 7 minutes</li> </ul>	<small>SATURN was designed and developed by AGD Systems</small>



# CERTIFIED

Saturn is a bespoke set of test equipment designed and developed by AGD Systems dedicated to the testing of the 330 detector range. 100% of these units manufactured at AGD are Certified by Saturn



**Saturn™** is a bespoke set of test equipment designed and developed by AGD Systems. It is dedicated to the testing of the 330 detector range and 100% of these units manufactured at AGD are Certified by Saturn.

The key test functions performed by Saturn to Certify the premium performance of your Intelligent Detection System are:

- Simulated speed range from 4-200kph
- Optimisation of frequency signals
- Transmitted radar power and frequency measurement
- Radar signal to noise level measurement
- Verification of DIP and rotary switch parameter operation
- >15hr hour burn-in
- test cycle time of 7 minutes

The AGD designed vehicle radar target simulator which forms part of the Saturn test equipment enables reliable simulation of a range of vehicle speeds in quick succession during the test process. This gives full control of simulated targets' signal size, speed and direction.

Optimisation of frequency signals on Saturn ensures full compatibility with different country requirements within the 24GHz radar operating band.

All DIP switch parameters and detect output LED operation are verified during the test cycle.

### LIFETIME PRODUCT TRACEABILITY

There are clearly defined pass and fail criteria at all stages within the Saturn test process. The test results in association with the product build revision are recorded on a product serial number basis. The full suite of test measurements is instantly sent to the dedicated product database within the AGD secure server facility, providing full traceability during the product lifetime.

The AGD Certified symbol is your mark of assured performance.